

www.ultradynamics.com

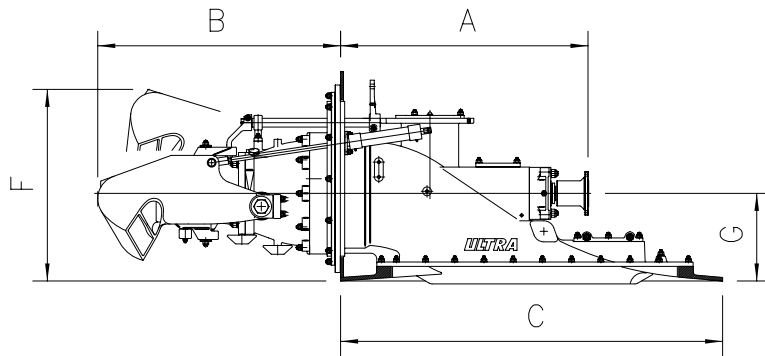
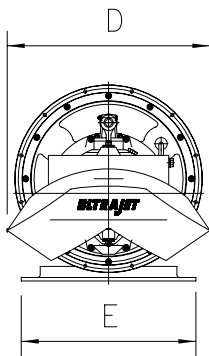
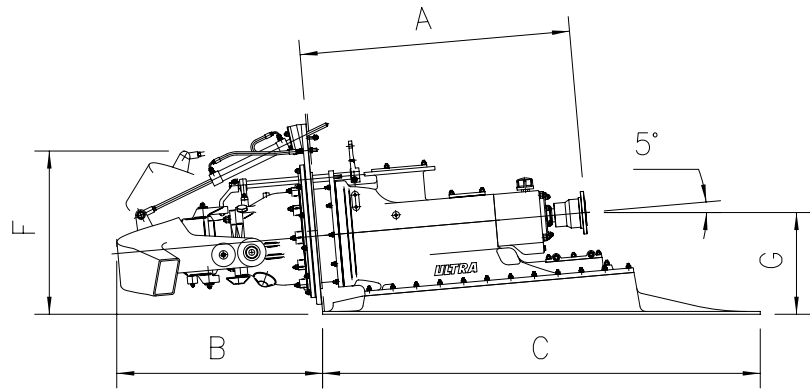
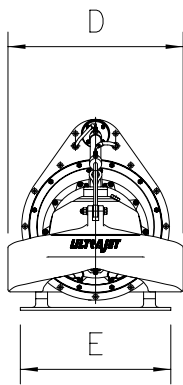
Model	Impeller Diameter mm (inches)	Max Input Power Planing Craft (A) bhp (kW)	Max Drive Speed rpm	Max Slow Speed Craft Displacement (B) lb. (tonnes)	Max High Speed Craft Planing (B) lb. (tonnes)
UltraJet 251	250 (9.8)	300 (224)	3,600	Single jet 17,600 (8) Twin jet 39,600 (18) Triple jet 61,600 (27.9)	Single jet 8,800 (4) Twin jet 19,800 (9) Triple jet 33,000 (15)
UltraJet 305	305 (12.0)	450 (336)	3,000	Single jet 22,000 (10) Twin jet 48,400 (22) Triple jet 77,000 (34.9)	Single jet 13,200 (6) Twin jet 28,600 (13) Triple jet 48,400 (22)
UltraJet 340	340 (13.4)	540 (403)	2,700	Single jet 33,000 (15) Twin jet 72,000 (32.7) Triple jet 120,000 (54.5)	Single jet 19,000 (8.6) Twin jet 44,000 (20) Triple jet 70,000 (31.8)
UltraJet 375	375 (14.8)	700 (522)	2,400	Single jet 44,000 (20) Twin jet 99,000 (44.9) Triple jet 198,000 (89.8)	Single jet 26,400 (12) Twin jet 57,200 (26) Triple jet 92,400 (41.9)
UltraJet 376	376 (14.8)	700 (522)	2,400	Single jet 44,000 (20) Twin jet 99,000 (44.9) Triple jet 198,000 (89.8)	Single jet 26,400 (12) Twin jet 57,200 (26) Triple jet 92,400 (41.9)
UltraJet 450	450 (17.7)	1200 (900)	2,100	Single jet 70,400 (31.9) Twin jet 143,000 (64.9) Triple jet 220,000 (99.8)	Single jet 35,200 (16) Twin jet 77,000 (34.9) Triple jet 121,000 (54.9)
UltraJet 451	450 (17.7)	1200 (900)	2,100	Single jet 70,400 (31.9) Twin jet 143,000 (64.9) Triple jet 220,000 (99.8)	Single jet 35,200 (16) Twin jet 77,000 (34.9) Triple jet 121,000 (54.9)
UltraJet 575	575 (22.6)	1700 (1268)	1,500	Single jet 112,000 (50.8) Twin jet 228,800 (103.8) Triple jet 352,000 (159.7)	Single jet 50,000 (22.7) Twin jet 110,000 (49.9) Triple jet 175,000 (79.4)

(A) The maximum power per application will be influenced by the drive speed (rpm), hullform, and vessel displacement.
 (B) Maximum displacement is influenced by hull type and form.

Ultra Dynamics Ltd.,
 Kingsditch Trading Estate,
 Cheltenham, Glos, GL51 9NY, England.
 Tel: +44 1242 707900 Fax: +44 1242 707901
 Email: sales@ultrajet.co.uk

Ultra Dynamics Marine, LLC.,
 1110A Claycraft Road,
 Columbus, Ohio 43230, USA.
 Tel: (614) 759 9000 Fax: (614) 759 9046
 Email: sales@ultradynamics.com

UltraJet Dimensional Data



UltraJet Model	Length			Width		Height		Weight Dry kg (lb)
	A mm (inch)	B mm (inch)	C mm (inch)	D mm (inch)	E mm (inch)	F mm (inch)	G mm (inch)	
251 @ 0°	681 (26.8)	640 (25.2)	1068 (42.0)	568 (22.4)	500 (19.7)	532 (21.0)	250 (9.8)	110 (242)
305 @ 0°	750 (29.5)	784 (30.9)	1140 (44.9)	694 (27.3)	560 (22.0)	612 (24.1)	265 (10.4)	168 (370)
340 @ 0°	850 (33.5)	832 (32.7)	1308 (51.5)	694 (27.3)	598 (23.5)	649 (25.5)	300 (11.8)	223 (491)
375 @ 5°	1078 (42.4)	872 (34.3)	1208 (47.6)	741 (29.2)	620 (24.4)	710 (28)	445 (17.5)	324 (714)
376 @ 0°	1143 (45.0)	841 (33.1)	1443 (56.8)	815 (32.0)	636 (25.0)	726 (28.6)	330 (13.0)	309 (681)
450 @ 5°	1250 (49.2)	1137 (44.8)	1602 (63.0)	950 (37.4)	770 (30.3)	875 (34.5)	523 (20.6)	561 (1237)
451 @ 0°	1375 (54.1)	1098 (43.2)	1715 (67.5)	1050 (41.3)	810 (31.9)	965 (38)	430 (16.9)	571 (1259)
575 @ 0°	1850 (72.8)	1450 (57.0)	2380 (93.7)	1310 (51.6)	1000 (39.4)	1268 (49.9)	500 (19.7)	1158 (2553)

Note: All dimensions are approximate. Please request confirmation of all dimensions prior to finalising an installation design. Dxf drawings are available to download from our web site www.ultradynamics.com